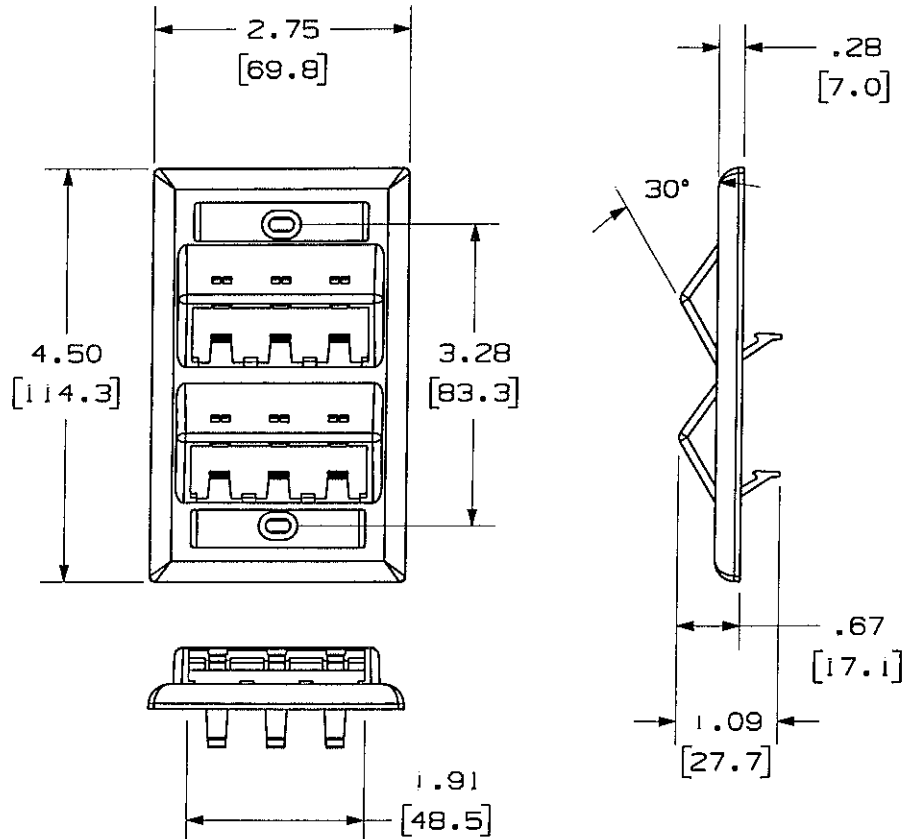
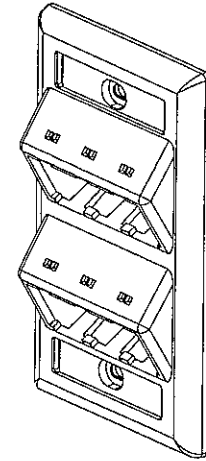


THIS COPY IS PROVIDED ON A RESTRICTED BASIS AND IS NOT TO BE USED IN ANY WAY DETRIMENTAL TO THE INTERESTS OF PANDUIT CORP.

PANDUIT P/N	WEIGHT
CFPSL6**Y	.48 LB/10 PCS. (218.0 G/10 PCS.)



- NOTES:
- **1. SEE CURRENT CATALOG FOR ADDITIONAL PART NUMBER SUFFIXES TO INDICATE COLOR AND OR PACKAGE QUANTITY.
 - SEE CATALOG FOR COMPLETE LIST OF PARTS APPLICABLE FOR USE WITH THIS PART.
 - PART INCLUDES:
 - 1- FACEPLATE
 - 2- MOUNTING SCREWS
 - 2- LABEL
 - 2- LABEL COVER
 - DIMENSIONS IN PARENTHESIS ARE IN METRIC.



MINIMUM ELECTRICAL BOX OPENING

NETWORK SYSTEMS
MAY 25 2006
ENGINEERING DEPT

MODEL FILENAME	M01328BA_CFPSL6_01.PRT	SIZE	A
DRAWING FILENAME	M02479E1_DC115_00A.PRT		

MINI-COM 6 POSITION VERTICAL SLOPED FACEPLATE WITH LABEL/COVERS
CUSTOMER DRAWING

<p>PANDUIT® CORP. TINLEY PARK, IL 60477</p>	I.I. NUMBER	N/A		
	PRODUCT SPEC	N/A		
	WORK INSTRUCTION	N/A		
	SCALE	FULL		
<p>THIRD ANGLE PROJECTION</p>	<p>ALL DIMENSIONS ARE GIVEN IN INCHES, UNLESS OTHERWISE SPECIFIED.</p> <p>DIMENSIONAL TOLERANCES ARE:</p> <p>1.X1 ±.03 1.XXX1 ±.005</p> <p>1.XX1 ±.01 ANGLES ± 1°</p>	PART NO.	CFPSL6**Y	
<p>DRAWN BY: JsP</p> <p>DATE: 3-11-06</p>	MATERIAL	ABS	DRAWING NO.	02479-115

R	3-11-06	JsP	MAD	RELEASED TO PRODUCTION	02479-115	MAD	MAD		
REV	DATE	BY	CHK	DESCRIPTION	ECN	R	CUST	SUP	OTH