

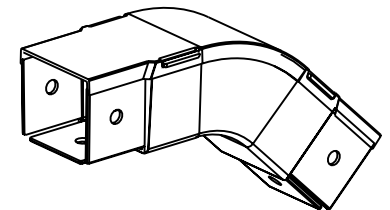
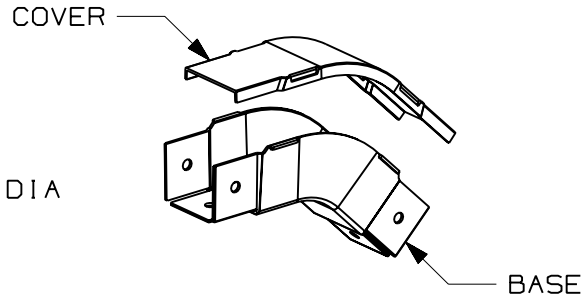
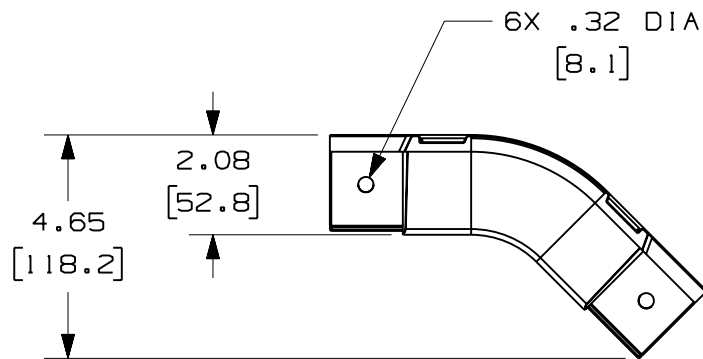
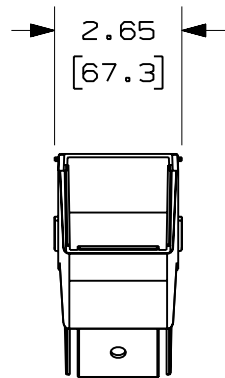
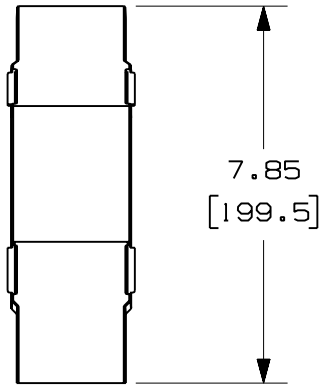


PANDUIT PART NUMBER	WEIGHT
FOV452X2	0.24 LB/EACH (109g/EACH)



NOTES:

1. SEE CURRENT CATALOG FOR ADDITIONAL PART SUFFIXES TO INDICATE COLOR AND/OR PACKAGE QUANTITY.
2. THE FIBER-DUCT 2x2 AND FIBERRUNNER 2x2 OUTSIDE VERTICAL 45° ANGLE FITTING IS DESIGNED WITH A MINIMUM 2" (50.8) BEND RADIUS TO PROTECT FIBER OPTIC CABLES.
3. DIMENSIONS IN PARENTHESES ARE IN METRIC.



ENG. REF.: D35245BZ_DC_FOV452X2_05.prt

CAD FILENAME/LAYERS

E FOV452X2.pdf

PANDUIT CORP TINLEY PARK, ILLINOIS

FIBER-DUCT 2x2 AND FIBERRUNNER 2x2 OUTSIDE VERTICAL 45° ANGLE FITTING (FOV452X2)

F CUSTOMER DRAWING

UNLESS OTHERWISE SPECIFIED, DIMENSIONAL TOLERANCES ARE:

(.X) ± (.XXX) ±
(.XX) ± .03 (.8) ANGLES ±

UNLESS OTHERWISE SPECIFIED, ALL DIMENSIONS ARE GIVEN IN INCHES, THIRD ANGLE PROJECTION.

DRAWN BY TPC

MAT'L:

DATE 1-15-97

ABS

SCALE NONE

DRAWING NO.

35245-26

DWG

A

CHK'D

CEF



SIZE

REV	DATE	BY	CHK	DESCRIPTION	ECN	R	CUST	SUP	GMBH
-	-----	---	---	I. REVISED GENERAL NOTES. H. REVISED PART WEIGHT.	-----	--	--		
-	-----	---	---	G. REVISED MATERIAL. F. REVISED DRAWING TITLE.	-----	--	--		
5	12-15-06	MSO	RN	E. REVISED CAD FILENAME. D. REVISED AND REDRAWN.	34245-26	RN	RN		