

Panels for Enclosures

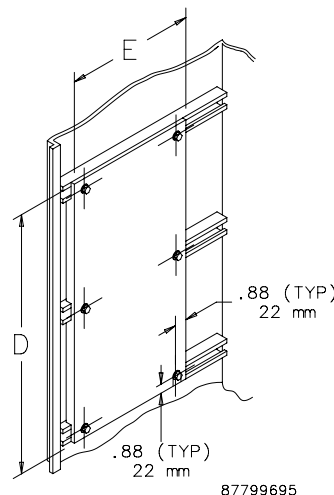
Side-Mounted Panels

Panels provide extra mounting space on the sides of enclosures. 12 gauge steel side-mounting panels are painted white. Conductive panels are steel with a conductive, corrosion-resistant coating. Panels attach securely to mounting channels. Plated steel mounting hardware is furnished.

Catalog Number Painted	Catalog Number Conductive	Fits Enclosure A (in.)	Fits Enclosure A (mm)	Panel Size D x E (in.)	Panel Size D x E (mm)
A60SMP14	A60SMP14G	60.00	1524	48.00 x 14.00	1219 x 356
A72SMP14	A72SMP14G	72.00	1829	60.00 x 14.00	1524 x 356
A72SMP20	A72SMP20G	72.00	1829	60.00 x 20.00	1524 x 508
A90SMP14	A90SMP14G	90.00	2286	78.00 x 14.00	1981 x 356
A90SMP20	A90SMP20G	90.00	2286	78.00 x 20.00	1981 x 508

A90SMP14 and A90SMP14G will not fit 18.06 in. deep two-door enclosures (FSD style) if regular panel is also installed.

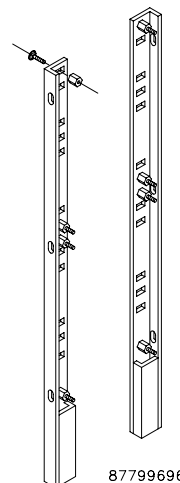
A90SMP20 and A90SMP20G will not fit 20.12 in. deep enclosures, and will not fit 24.12 in. deep two-door enclosures (FSD style) if regular panel is also installed.



Heavy Duty Panel Supports

Heavy Duty Panel Supports, sold in pairs, are used in place of the panel supports furnished with panels when heavy equipment will be installed on the panels. They extend to the bottom of the enclosure. Adjustable mounting studs allow mounting of different height panels or a combination of panels. Use mounting hardware furnished with panels.

Catalog Number	Fits Enclosure A (in.)	Fits Enclosure A (mm)	Support Length (in.)	Support Length (mm)
A60FSHDPS	60.00	1524	57.25	1454
A72FSHDPS	72.00	1829	69.25	1759
A90FSHDPS	90.00	2286	87.25	2216



Center Panel Supports

Center panel supports are used with Free-Standing Type I2 (Bulletin A30) two-door enclosures. They permit the installation of panels, swing-out panels, and rack mounting angles sized for single-door enclosures. The Center Panel Support can be positioned from front to back of the enclosure.

Catalog Number	Fits Enclosure A (in.)	Fits Enclosure A (mm)	G (in.)	G (mm)
A60FSCPS	60	1524	23.12	587
A72FSCPS	72	1829	29.12	740
A90FSCPS	90	2286	38.12	968

Accessory Width with Center Panel Supports

Double-Door Enclosure Width (in.)	Double-Door Enclosure Width (mm)	Accessory Width (in.)	Accessory Width (mm)
48	1219	24	610
60	1524	30	762
72	1829	36	914

