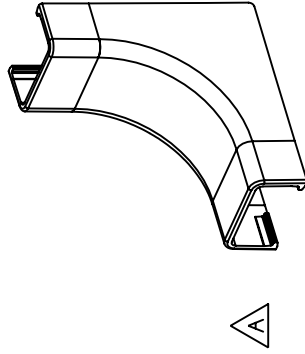
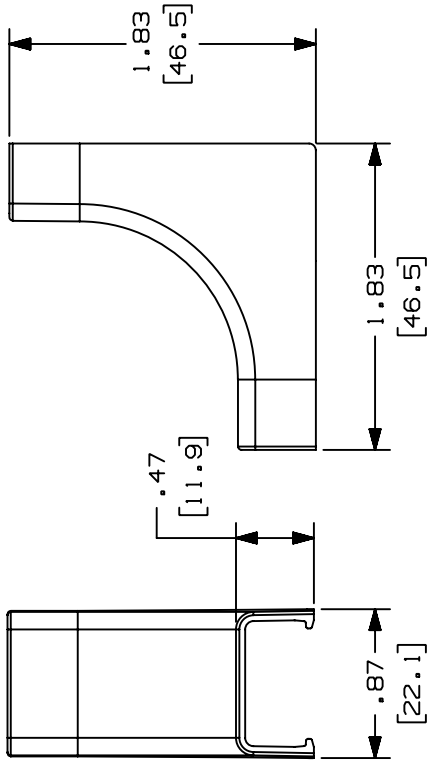


THIS COPY IS PROVIDED ON A RESTRICTED BASIS AND IS NOT TO BE USED IN ANY WAY DETRIMENTAL TO THE INTERESTS OF PANDUIT CORP.

PANDUIT PART NO.	WEIGHT
ICFC3	1.26 LB/100 PCS (573 g/100 PCS)

- NOTES:
- SEE CURRENT CATALOG FOR ADDITIONAL PART NUMBER SUFFIXES TO INDICATE COLOR AND OR PACKAGE QUANTITY.
  - THIS PRODUCT IS INTENDED TO BE USED WITH PANDUIT TYPE LD3 AND LDS3 RACEWAY.
  - NOMINAL WALL THICKNESSES: .055(1.4).
  - THIS PRODUCT IS FEATURED WITH THE TIA/EIA COMPLIANT BEND RADIUS.
  - DIMENSIONS IN PARENTHESIS ARE IN METRIC.



CAD FILENAME/LAYERS D35541BN\_ICFC3\_C\_03.PRT

PANDUIT		CORP. TINLEY PARK, ILLINOIS							
INSIDE CORNER FITTING COVER (ICFC3)									
CUSTOMER DRAWING									
UNLESS OTHERWISE SPECIFIED, DIMENSIONAL TOLERANCES ARE: (.X) ± (.XXX) ±.015 (.4) (.XX) ±.03 (.8) ANGLES ±		UNLESS OTHERWISE SPECIFIED, ALL DIMENSIONS ARE GIVEN IN INCHES, THIRD ANGLE PROJECTION.							
DRAWN BY JBA		SCALE NONE							
DATE 08-09-96		DRAWING NO. 35541-16							
CHECKED BY CEF		DWG SIZE A							
MATERIAL: ABS		B							
3	03-11-04	JHEP	RGRO	C. REMOVED CD3 FROM NOTE 2	35541-16	RGRO	RGRO		
2	07-02-02	JHNU	RMHI	B. REVISED MATERIAL IN DRAWING TITLE BLOCK	35541-16	RGRO	RGRO		
1	07-06-99	DW	H1W	A. REVISED PICTURE TO SHOW 2D VIEWS.	35541-16	H1W	H1W		
R	08-09-96	JBA	CEF	RELEASED TO PRODUCTION	35541-16	CEF	CEF		
REV	DATE	BY	CHK	DESCRIPTION	ECN	CHK	CUST	SUP	