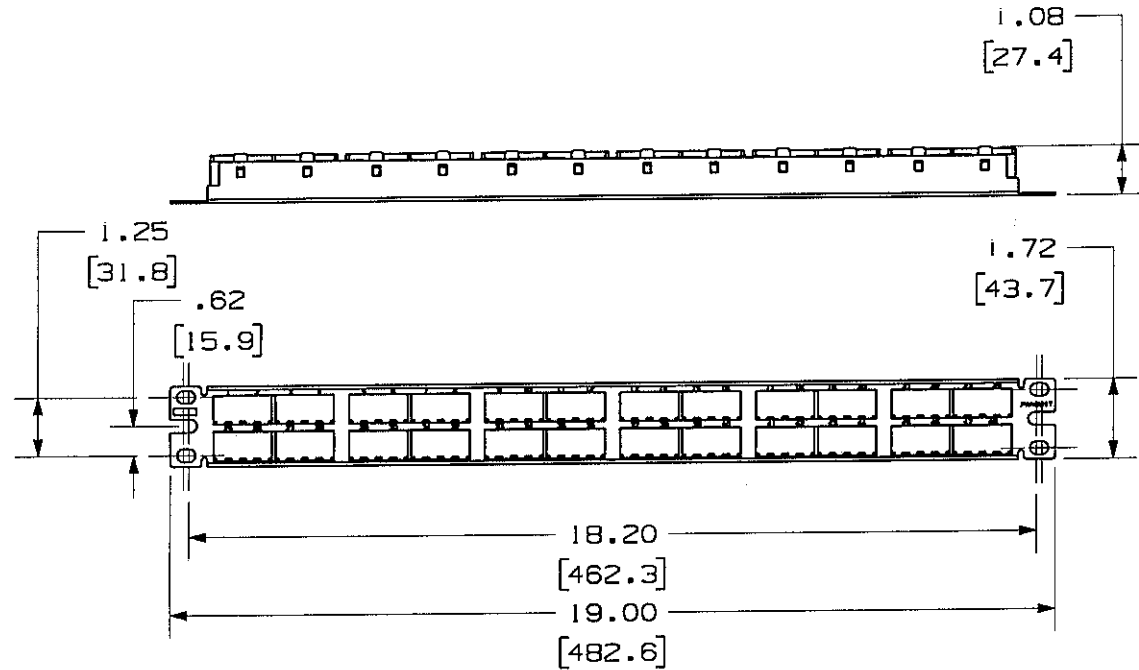


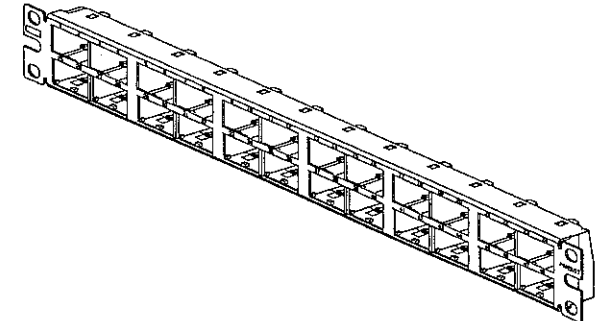
THIS COPY IS PROVIDED ON A RESTRICTED BASIS AND IS NOT TO BE USED IN ANY WAY DETRIMENTAL TO THE INTERESTS OF PANDUIT CORP.



PANDUIT P/N	WEIGHT
CPP48HDWBLY	6.15 LB/10 PCS (2788.0 g/10 PCS)

**NOTES:**

- SEE CURRENT CATALOG FOR VARIOUS APPLICATIONS WITH THIS WIRING SYSTEM.
- THE HIGH DENSITY PATCH PANEL IS DESIGNED FOR MOUNTING TO 19" UNIVERSAL RACKS.
- PACKAGE CONTENTS:
  - (1) -48 PORT STAMPING
  - (6) -8 POSITION FACEPLATE (ASSEMBLED TO PANEL)
  - (1) -SCREW KIT (INCLUDES FOUR #12-24 SCREWS)
  - (1) -SCREW KIT (INCLUDES FOUR M6 SCREWS)
- DIMENSIONS IN PARENTHESIS ARE IN METRIC.



MODEL FILENAME	M01348AA_CPP48HD_ASMBL_08.PRT	SIZE	A
DRAWING FILENAME	M02479DA_DC81_00A.PRT		

NETWORK SYSTEMS  
 NETWORK SYSTEMS  
 MAY 26 2006  
 ENGINEERING DEPT

MINI-COM 48 PORT HIGH DENSITY MODULAR PATCH PANEL CUSTOMER DRAWING

<p>THIRD ANGLE PROJECTION</p>	<p>ALL DIMENSIONS ARE GIVEN IN INCHES, UNLESS OTHERWISE SPECIFIED.</p> <p>DIMENSIONAL TOLERANCES ARE:</p> <p>(.X) ± (.XXX) ± (.010(.3))</p> <p>(.XX) ± (.03(.8)) ANGLES ±</p>	I.I. NUMBER	N/A
		PRODUCT SPEC	N/A
<p>DRAWN BY</p> <p>JsP</p>	<p>MATERIAL:</p> <p>STAMPING- 18 GAGE C.R.S.</p> <p>FACEPLATE- ABS</p>	WORK INSTRUCTION	N/A
		SCALE	NONE
DATE	3-11-06	PART NO.	CPP48HDWBLY
CHK'D		DRAWING NO.	02479-081

REV	DATE	BY	CHK	DESCRIPTION	ECN	R	CUST	SUP	OTH
R	3-11-06	JsP	MMO	RELEASED TO PRODUCTION	02479-081				