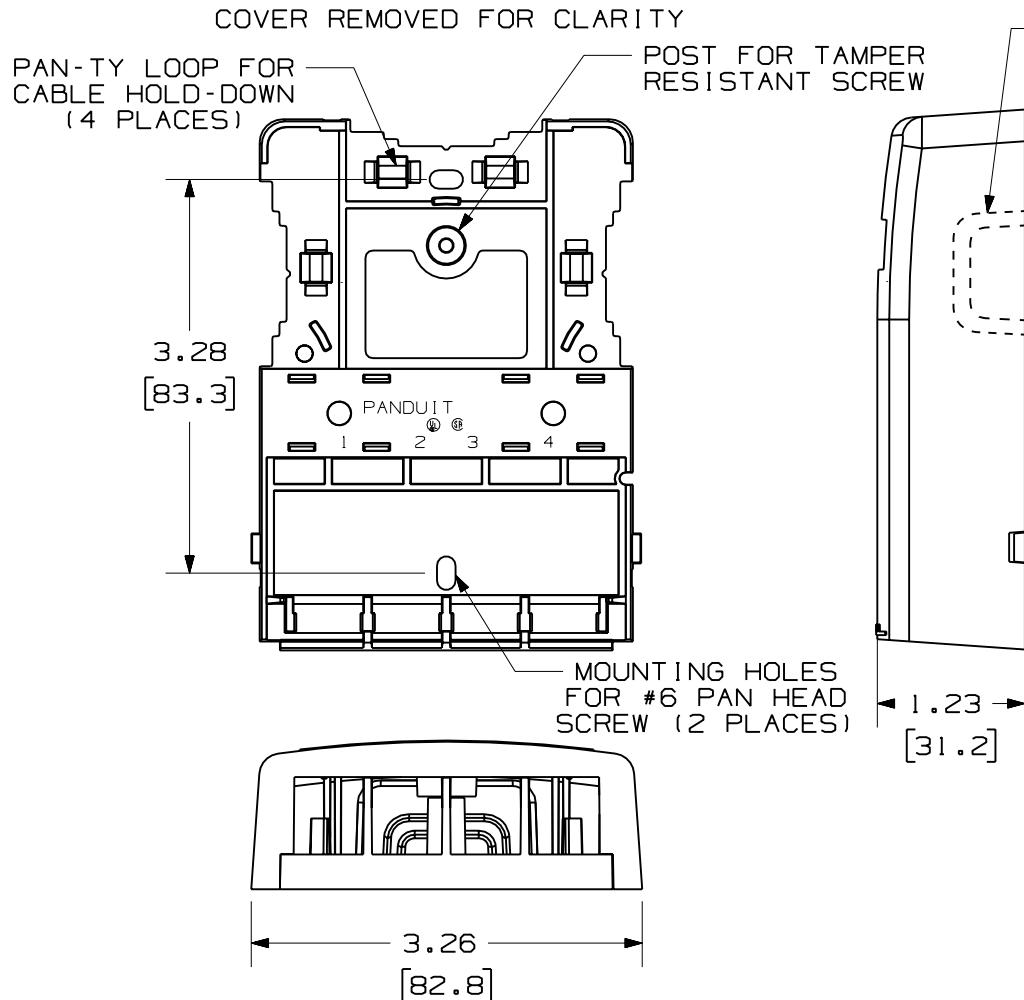


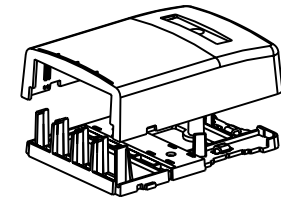
THIS COPY IS PROVIDED ON A RESTRICTED BASIS AND IS NOT TO BE USED IN ANY WAY DETRIMENTAL TO THE INTERESTS OF PANDUIT CORP.



| PANDUIT PART NO. | WEIGHT |
|------------------|-----------------------------------|
| NK4BX**-AY | 1.2 LB/10 PCS (530.0 g/10 PCS) |

NOTES:

1. SEE CURRENT CATALOG FOR ADDITIONAL PART NUMBER SUFFIXES TO INDICATE COLOR AND OR PACKAGE QUANTITY.
2. SEE CATALOG FOR A COMPLETE LIST OF PARTS APPLICABLE FOR USE WITH THIS PART.
3. DIMENSIONS IN PARENTHESES ARE IN METRIC.
4. ALSO INCLUDED WITH BOX:
 - 1- BOX BASE
 - 1- BOX COVER
 - 2- PLT1.51-C PAN-TY
 - 2- MOUNTING SCREW
 - 1- MOUNTING SCREW (USED TO SECURE COVER TO BASE)
 - 1- LABEL/LABEL COVER
 - 2- STRIP OF 1.25" X .75" FOAM TAPE FOR MOUNTING
5. BREAKOUTS DESIGNED TO ACCEPT LD3/LDP3 OR LD5/LDP5 RACEWAY.
6. BASE MATERIAL THICKNESS= .090(2.29).



NO WARRANTY, EXPRESSED OR IMPLIED, IS MADE BY PANDUIT WITH RESPECT TO ADHESIVE BOND PERFORMANCE. AMONG OTHER THINGS, THE CONDITIONS UNDER WHICH THESE MOUNTS MAY BE APPLIED AND/OR THE SURFACE TO WHICH THEY MAY BE APPLIED ARE BEYOND PANDUIT'S CONTROL.

| | | | |
|------------------|------------------------|------|---|
| DRAWING FILENAME | M02479BB_DC028_00A.PRT | SIZE | A |
|------------------|------------------------|------|---|

NETKEY 4 POSITION SURFACE MOUNT BOX CUSTOMER DRAWING

| | | |
|--|------------------|--------------------------|
| <p>PANDUIT® CORP. TINLEY PARK, IL 60477</p> | I.I. NUMBER | N/A |
| | PRODUCT SPEC | N/A |
| <p>THIRD ANGLE PROJECTION</p> | WORK INSTRUCTION | N/A |
| | SCALE | NONE |
| DRAWN BY JsP | MATERIAL: | PART NO. NK4BX**-AY |
| DATE 5-2-07 | ABS | DRAWING NO. 02479-028 |
| CHK'D | | |

| REV | DATE | BY | CHK | DESCRIPTION | ECN | R | CUST | SUP | OTH |
|-----|--------|-----|-----|------------------------|-----------|---|------|-----|-----|
| R | 5-2-07 | JsP | | RELEASED TO PRODUCTION | 02479-028 | | | | |